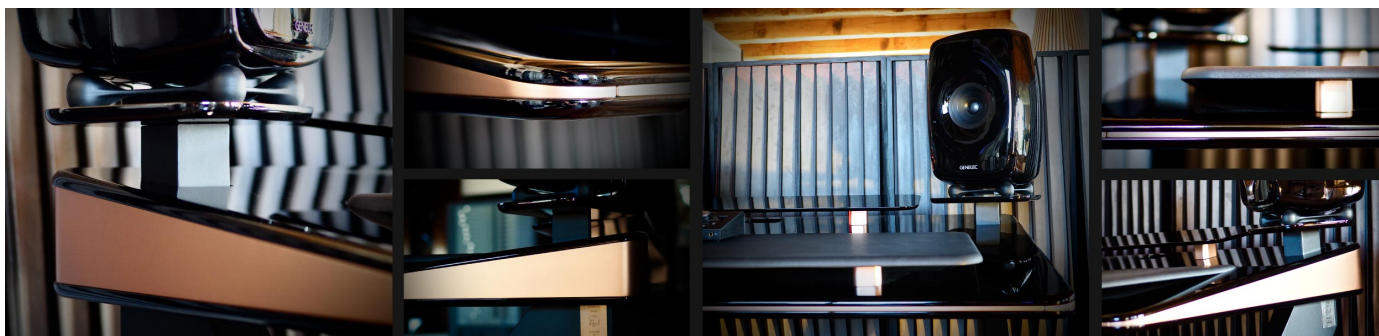


Antares Desk



A signature Jan Morel design, the Antares desk is core of your studio. Once you look further than the picture perfect aesthetics and premium quality finishes, you will find careful ergonomic design, clever cable management, acoustically optimised surfaces and a concealed acoustic core that brings this majestic desk to a whole new level, with the dual purpose of adding to your rooms low frequency control.

The desk is build off a sleek steel structure with durable, quality finishes. The finish of part of the desk is customizable, so it fits perfectly into your studio design.

Features

Type:
Studio Desk

Purpose

VABT (Velocity Absorber Bass Trap)

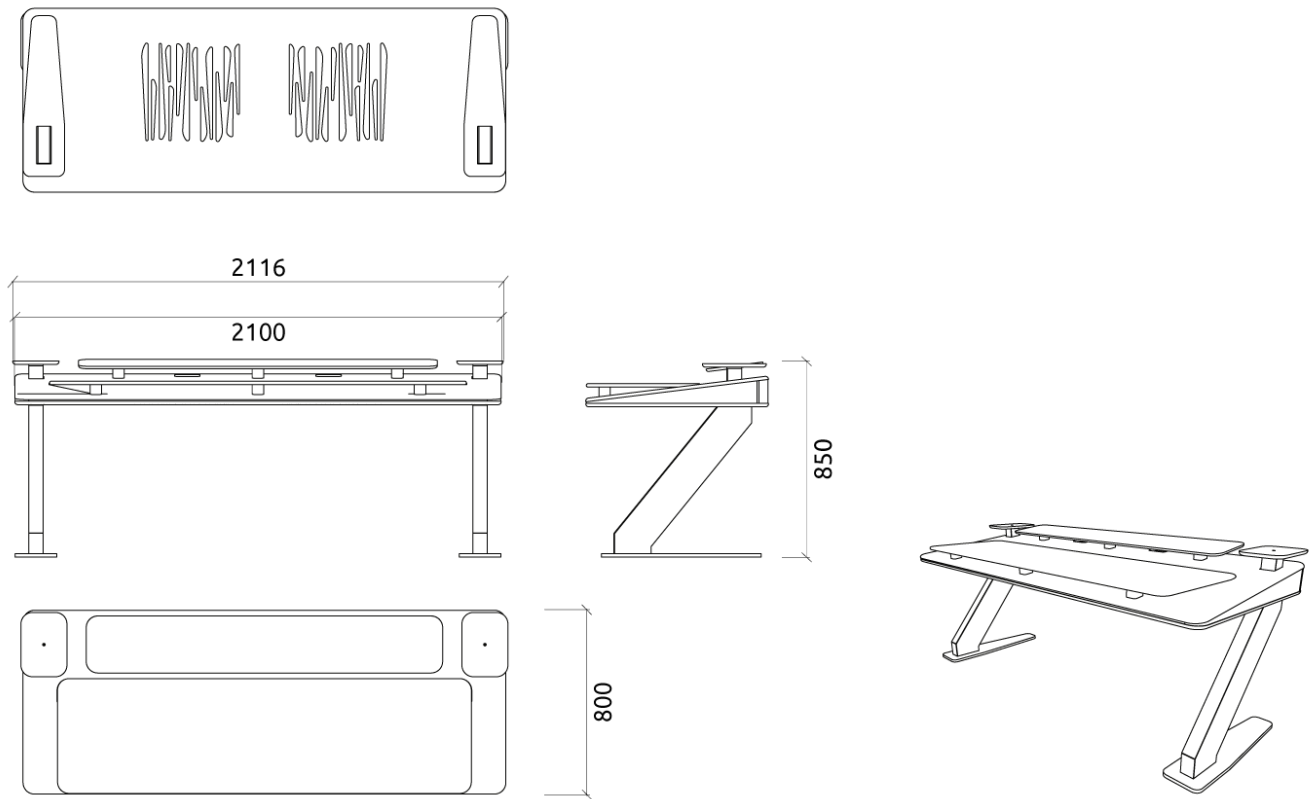
The Antares Desk is equipped with VABT (Velocity Absorber Bass Trap) core, an innovative way to control room modes, utilizing a carefully calibrated combination of foam densities, taking advantage of layout of the Antares Desk in high-velocity zones.

Designed by Jan Morel, with the highly advanced technology and acoustic knowledge of Artnovion, Antares Desk is just perfect in every aspect.

Performance



Dimensions



Add-ons

Dimensions

FG - D | 2116x800x850mm

Weight

100.0 Kg

Box

Quantity per box: 1

Dimensions: 2146x950x325mm

Volume: 0.663m³

Weight: 110.0Kg

Antares Desk

(FG - D) Finishes



**Preset 1 - Blanc | Grey
Aluminium | Pure White**

Retail code:
217171370415011_S_1



**Preset 2 - Noir Vintage |
Bronze | Schwarz**

Retail code:
217171370415041_S_2



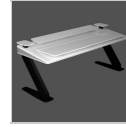
**Preset 3 - Noir Vintage | Noir
Vintage | Pure White**

Retail code:
217171370415041_S_3



**Preset 4 - Graphite Black |
Bronze | Schwarz**

Retail code:
217171370415051_S_4



**Preset 5 - Metallic White |
Grey Aluminium | Pure White**

Retail code:
217171370415061_S_5