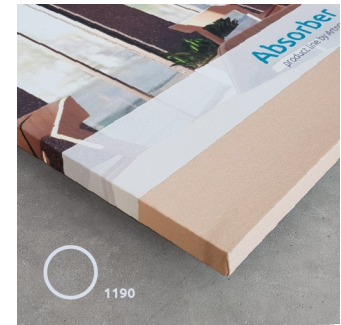
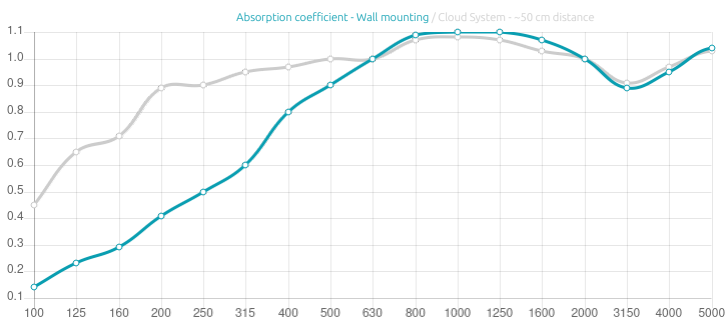
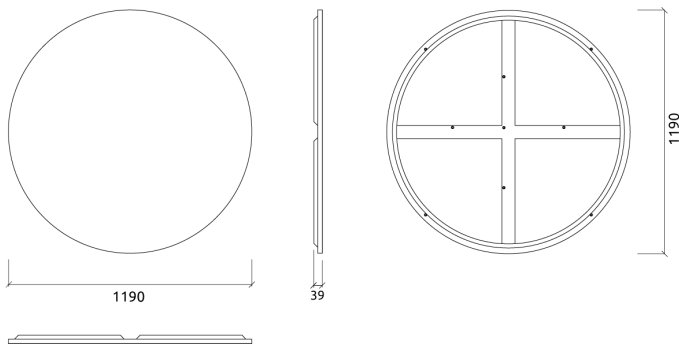




Performance



Technical Information



Features

Absorption Range: 350 Hz to 5000 Hz

Acoustic Class: B | (aw) = 0,85

Available fire rate:  
FG | Furniture Grade

- (FG) Materials:
- Fire retardant acoustic fabric
  - Marine grade plywood structural frame
  - Calibrated cell acoustic foam

Equipped with nine M6 Screw Thread receiver

Dimensions:

FG - PF | 1190x1190x39mm | 4.76 Kg

Venice custom print is the go-to solution for quality high resolution acoustic artwork. Any design can be printed on to the panel, be it your favourite movie poster, artwork, a family photo or even your company Logo. The printing is carried out directly onto the fabric using water based pigments. The fabric undergoes a special heat conditioning process to ensure long-lasting vibrance and UV protection. No additional chemicals are used in the preparation or printing of the fabrics - A truly eco-friendly method. Venice is equipped with a 100% recycled acoustic core and can easily be mounted on any surface.

## Product finishes

### (FG - PF) Printable Fabric Finishes



FG | Custom Print (BOX)



FG | Custom Print (UN)

## Venice CIR - Absorber Custom Print

### Fabric Absorber



## Purpose

- First reflection Control
- RT reduction
- Flutter echo control
- Reducing excessive reverberation
- Improving speech intelligibility

## Recommended for

- Hi-Fi Listening Room
- Media Room
- Living Room

## Fixing Systems

### Ceiling



+ FixArt Cloud

### Wall & Ceiling



+ FixArt Clip



+ FixArt - Tube

### Add-ons



+ FixArt Connect



+ FixArt Tube Lock