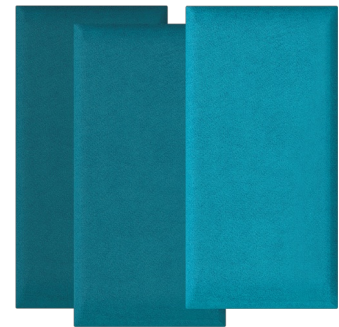
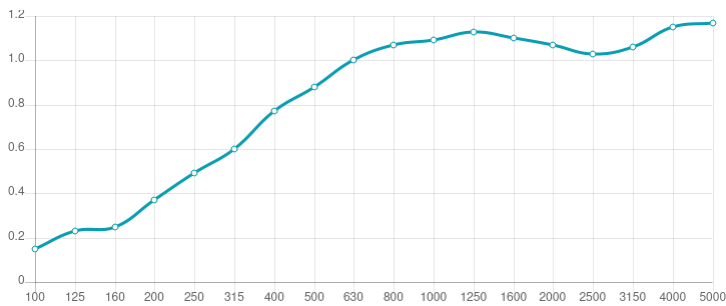
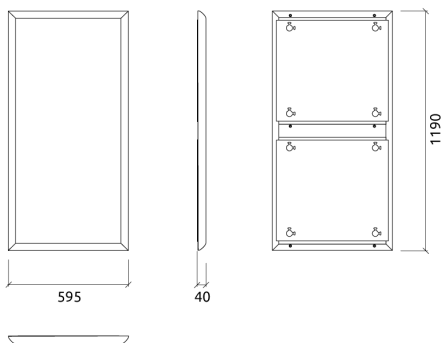




Performance



Technical Information



Features

Type: Absorber

Absorption Range: 350 Hz to 5000 Hz

Acoustic Class: B | (aw) = 0,80

Available fire rates:
FG | Furniture Grade

Materials:
- Acoustic fabric
- Marine grade plywood structural frame
- Calibrated cell acoustic foam

Six M6 Screw Thread receiver included on each panel.

Integrated Fixing System:
Designed to keep your walls intact, providing a sturdy alternative to glueing panels to your walls. Perfect for temporary instalations, or for rented studios and rooms. (Fixing already incorporated on the panel)

Dimensions:

FG - SF | 1190x595x40mm | 2.74 Kg
FG - WF | 1190x595x40mm | 2.74 Kg

Loa RCT is an acoustic panel, part of the Loa range. Loa is a fabric covered acoustic panel, sized at 595 x 1190mm.

Loa RCT can be combined with different panels of the range allowing you to perfectly adapt the acoustic treatment to the characteristics of the room.

Made of high quality fabric Loa range comes with its own fixing solution, allowing it to be directly on the wall, and the option to be used with Artnovion's fixing systems to be compatible with Artnovion's full range of products.

Product finishes

(FG - SF) Suede Fabric Finishes



FG | (TM201) Grigio



FG | (TM202) Bianco



FG | (TM203) Noce



FG | (TM204) Gentian



FG | (TM205) Nero



FG | (TM206) Nebbia



FG | (TM207) Bordo



FG | (TM208) Fuchsia



FG | (TM209) Pistacchio



FG | (TM210) Turchese

(FG - WF) Weave Fabric Finishes



FG | (TP106) Terracotta



FG | (TP107) Teal



FG | (TP108) Emerald



FG | (TP109) Seashell



FG | (TP110) Steel



FG | (TP111) Iron



FG | (TP112) Citron



FG | (TP113) Fandango



FG | (TP114) Carmine



FG | (TP82) Amber



FG | (TP83) Persimmon



FG | (TP84) Persian Red



FG | (TP85) Claret



FG | (TP86) Cobalt



FG | (TP87) Tardis Blue



FG | (TP88) Alabaster



FG | (TP89) Greige



FG | (TP90) Smoke



FG | (TP91) Licorice



FG | (TP92) Lemongrass



FG | (TP93) Avocado



FG | (TP94) Snow



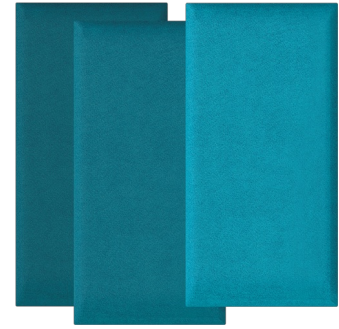
FG | (TP95) Khaki



FG | (TP96) Taupe

Loa RCT - Absorber

Fabric Absorber



Purpose

- First reflection Control
- RT reduction
- Flutter echo control
- Reducing excessive reverberation
- Improving speech intelligibility

Recommended for

- Hi-Fi Listening Room
- Media Room
- Home Cinema
- Living Room

Fixing Systems

Wall & Ceiling



+ FixArt Clip



+ GlueArt 2.0



+ FixArt - Tube



+ Instant Fix Kit

Ceiling



+ FixArt Cloud

Add-ons



+ FixArt Connect



+ FixArt Tube Lock



+ M6 Screw Thread receiver - Add-on