



## Arvon W - Diffuser

Diffusion  
RESIDENTIAL & Hi Fi

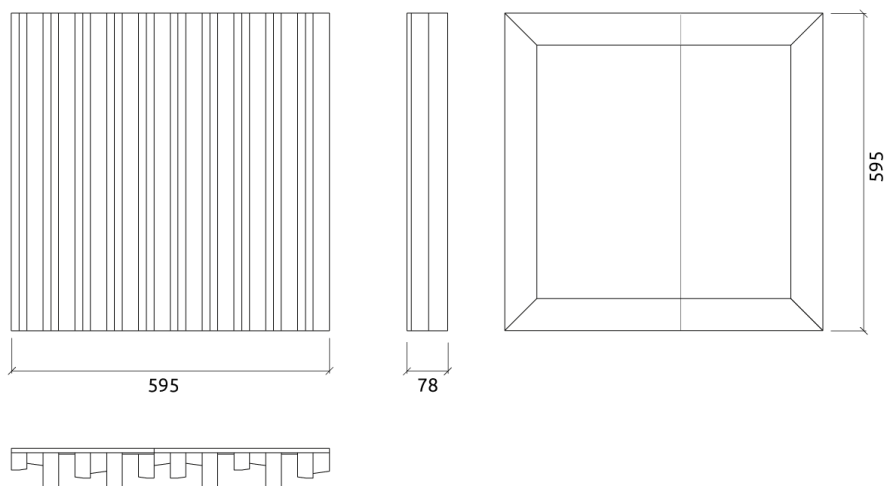
### Description

Arvon W Diffuser begins scattering at 900 Hz and goes up to 6000 Hz, providing a more uniform sound field through mid and high frequency diffusion. Made of wood from a sustainable source, and available in 4 colours, Arvon has a furniture grade quality, becoming an exquisite diffuser that will fit nicely in your home cinema or living room. Optimised through an Artnovion design technique, you can carry 2 units per box by clicking them into each other, and fitting them together as a single unit.

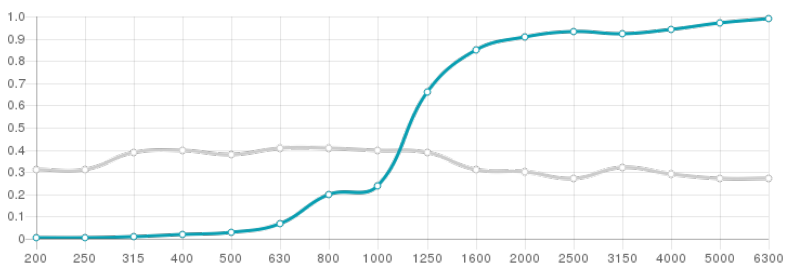
### Specifications

- Acoustic performance:
  - Scattering range | 900Hz to 6000Hz
  - FG | 595x595x78 mm
  - Finishing Material:
    - MDF Lacquer - FG (Furniture grade)
  - Click on a certain Finish for more detailed information
- Installation:
  - Mechanical

### Technical Information



### Performance



**Arvon W - Diffuser**

Diffusion  
RESIDENTIAL & Hi Fi

**Specifications**

Acoustic performance:

Scattering range | 900Hz to 6000Hz

FG | 595x595x78 mm

Finishing Material:

MDF Lacquer - FG (Furniture grade)

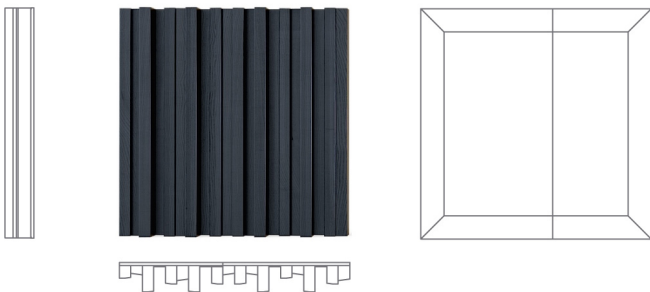
Click on a certain Finish for more detailed information

Installation:

Mechanical



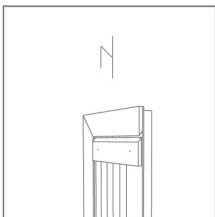
**Arvon Diffuser**



Diffuser



**Fixing System**



Integrated fixing system

**Product finishes**

(FG) Product Fire Grade - Furniture Grade



FG | (L01) Blanc



FG | (L02) Noir



FG | (L03) Rouge



FG | (L05) Silver



FG | (L06) Noir  
Vintage



FG | (L07) Graphite  
Black



FG | (L08) Rose Gold



FG | (L09) Classic Gold





[hello@artnovation.com](mailto:hello@artnovation.com)

[www.artnovation.com](http://www.artnovation.com)

22/01/2019