

Moritz Double SQR - Cloud MP



Moritz Cloud is a durable, semi-rigid closed-cell foam. It has an internal honeycomb-like structure that grants it exceptional performance. It is used to reduce reverberation or create a noise barrier in practically any type of environment, from high humidity areas such as swimming pools or outdoor spaces, to the most extreme high wear situations that require resistance to most chemicals and solvents, commonly found in healthcare environments or the manufacturing and service industries. Moritz is integrally fire retardant. Moritz Cloud can be reversed to expose either an open-cell structure, that boosts high-frequency absorption, or closed-cell structure, for when the panel needs to be easily cleanable. Moritz is lightweight and self-supporting. It is easily installed with the supplied cloud suspension systems, with adjustable hanging height up to 1,5m.

Features

Type:
Absorber

Absorption Range:
200 Hz to 5000 Hz

Acoustic Class:
A | $(\alpha_w) = 0,1$

Purpose

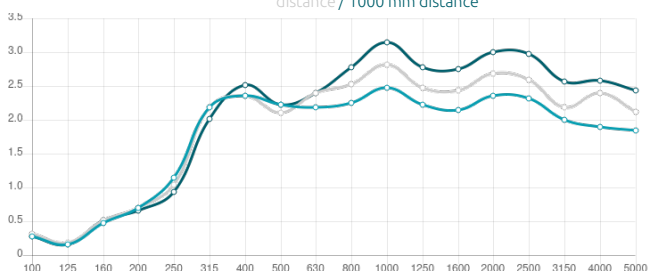
- RT reduction
- Improving speech intelligibility
- High-frequency absorption
- Reducing excessive reverberation

Recommended for

- Industrial noise control
- Sanitary or harsh environments
- High humidity environments
- Outdoor spaces

Performance

Equivalent absorption area per unit (m² sabine) Aeq - 200 mm distance / 400 mm distance / 1000 mm distance



This product is available in the following Fire Rate:

FR | Fire Rated

PRODUCT COMPOSITION:

Moritz Double SQR | Polyethelene Foam (FR)

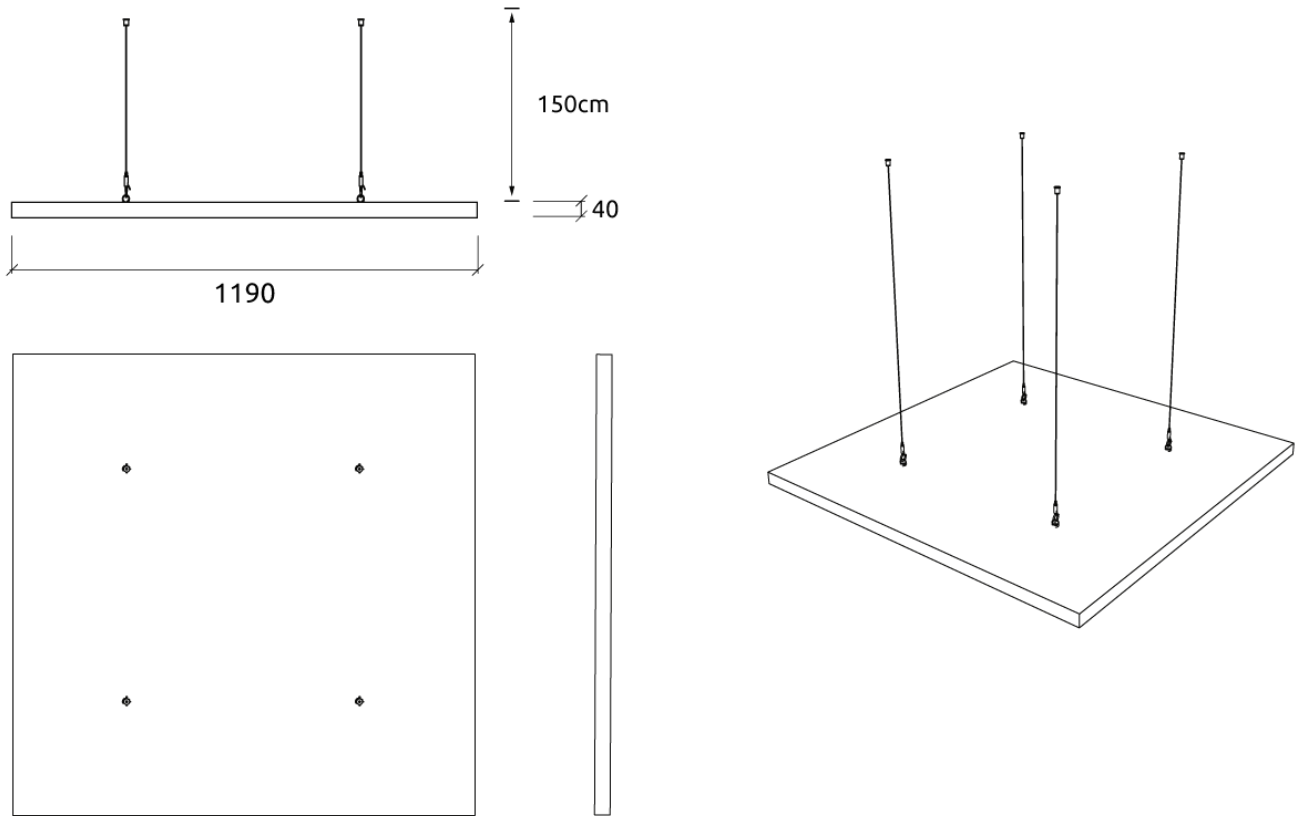
- Reversible: Closed Cell | Open Cell
- Euroclass B s1,d0

Product Dimensions:

- 1190x1190x40mm

Installation:

- Ceiling suspension kit included



Add-ons

Dimensions

FR | 1190x1190x40mm

Weight

1.72 Kg

Box

Quantity per box: 4

Dimensions: 1240x200x1240mm

Volume: 0.308m³

Weight: 9.48Kg

Moritz Double SQR - Cloud MP

(FR) Product Fire Grade - Fire Rated



**FR | (F04) Bianco | One Side
Open Cell, Other Side Closed
Cell**

Retail code:
007052350070021



**FR | (F05) Nero | One Side
Open Cell, Other Side Closed
Cell**

Retail code:
007052350070051