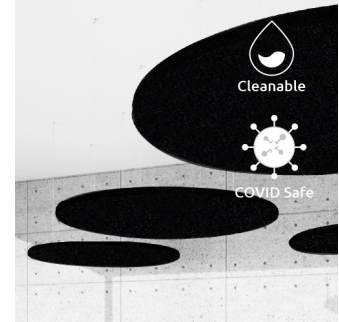
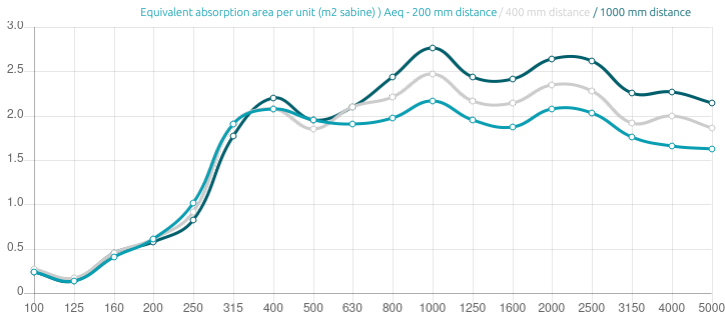
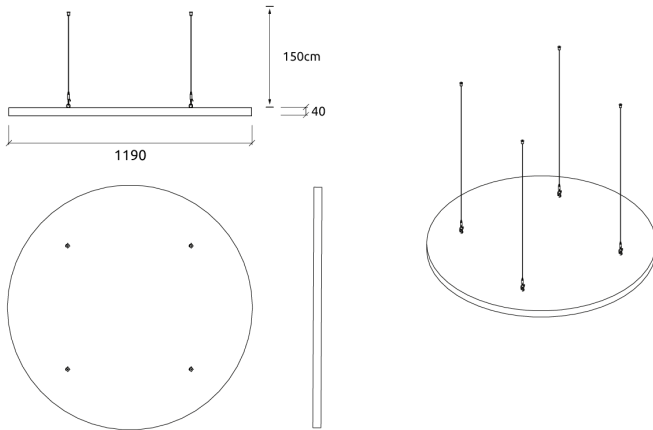




**Performance**



**Technical Information**



**Features**

Absorption Range: 350 Hz to 5000 Hz

Acoustic Class: C |  $(\alpha_w) = 0,70$

This product is available in the following Fire Rate:  
FR | Fire Rated

**PRODUCT COMPOSITION:**

- Moritz | Polyethylene Foam (FR)
- Reversible: Closed Cell | Open Cell
- Euroclass B s1,d0

Installation:  
- Ceiling suspension kit included

**Dimensions:**

FR | 1190x1190x40mm | 1.72 Kg

Moritz Cloud is a durable, semi-rigid closed-cell foam. It has an internal honeycomb-like structure that grants it exceptional performance. It is used to reduce reverberation or create a noise barrier in practically any type of environment, from high humidity areas such as swimming pools or outdoor spaces, to the most extreme high wear situations that require resistance to most chemicals and solvents, commonly found in healthcare environments or the manufacturing and service industries. Moritz is integrally fire retardant.

Moritz Cloud can be reversed to expose either an open-cell structure, that boosts high-frequency absorption, or closed-cell structure, for when the panel needs to be easily cleanable.

Moritz is lightweight and self-supporting. It is easily installed with the supplied cloud suspension systems, with adjustable hanging height up to 1,5m.

### Product finishes

#### (FR) Product Fire Grade - Fire Rated



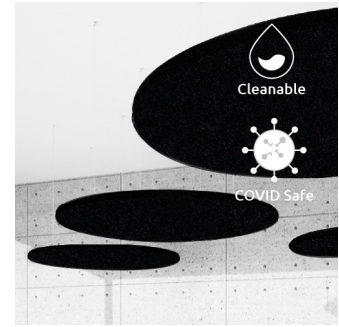
FR | (F04) Bianco | One  
Side Open Cell, Other Side  
Closed Cell



FR | (F05) Nero | One Side  
Open Cell, Other Side  
Closed Cell

## Moritz CIR - Cloud MP

### Acoustic washable foam



### Purpose

- RT reduction
- Improving speech intelligibility
- High-frequency absorption
- Reducing excessive reverberation

### Recommended for

- Industrial noise control
- Sanitary or harsh environments
- High humidity environments
- Outdoor spaces