

Moritz SQR - Ceiling Tile



Moritz is a durable, semi-rigid closed-cell foam. It has an internal honeycomb-like structure that grants it exceptional performance.

It is used to reduce reverberation or create a noise barrier in practically any type of environment, from high humidity areas such as swimming pools or outdoor spaces, to the most extreme high wear situations that require resistance to most chemicals and solvents, commonly found in healthcare environments or the manufacturing and service industries. Moritz is integrally fire retardant.

Moritz Ceiling Tile can be reversed to expose either an open-cell structure, that boosts high-frequency absorption, or closed-cell structure, for when the panel needs to be easily cleanable.

Moritz is lightweight and self-supporting. It is easily installed above standard metric T-frame grids.

Features

Type:
Absorber

Absorption Range:
350 Hz to 5000 Hz

Acoustic Class:
C | $(\alpha_w) = 0,70$

This product is available in the following Fire Rate:

FR | Fire Rated

PRODUCT COMPOSITION:

Moritz | Polyethelene Foam (FR)
- Reversible: Closed Cell | Open Cell
- Euroclass B s1,d0

Product Dimensions:

Moritz SQR | 595x595x40mm
Metric Ceiling Grid | 600x600mm

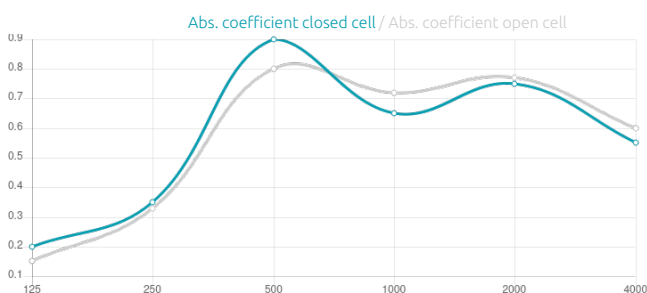
Purpose

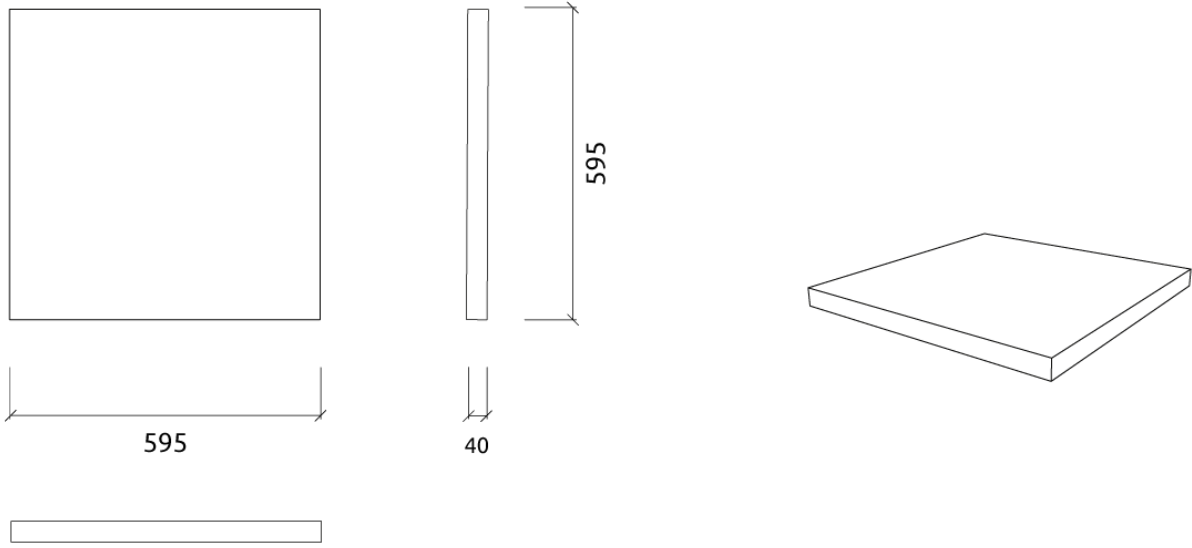
- RT reduction
- Improving speech intelligibility
- High-frequency absorption
- Reducing excessive reverberation

Recommended for

- Industrial noise control
- Sanitary or harsh environments
- High humidity environments
- Outdoor spaces

Performance





Add-ons

Dimensions

FR | 595x595x40mm

Weight

0.43 Kg

Box

Quantity per box: 10

Dimensions: 670x430x710mm

Volume: 0.205m³

Weight: 5.93Kg

Moritz SQR - Ceiling Tile

(FR) Product Fire Grade - Fire Rated



**FR | (F04) Bianco | One Side
Open Cell, Other Side Closed
Cell**

Retail code:
00705360010021



**FR | (F05) Nero | One Side
Open Cell, Other Side Closed
Cell**

Retail code:
00705360010051